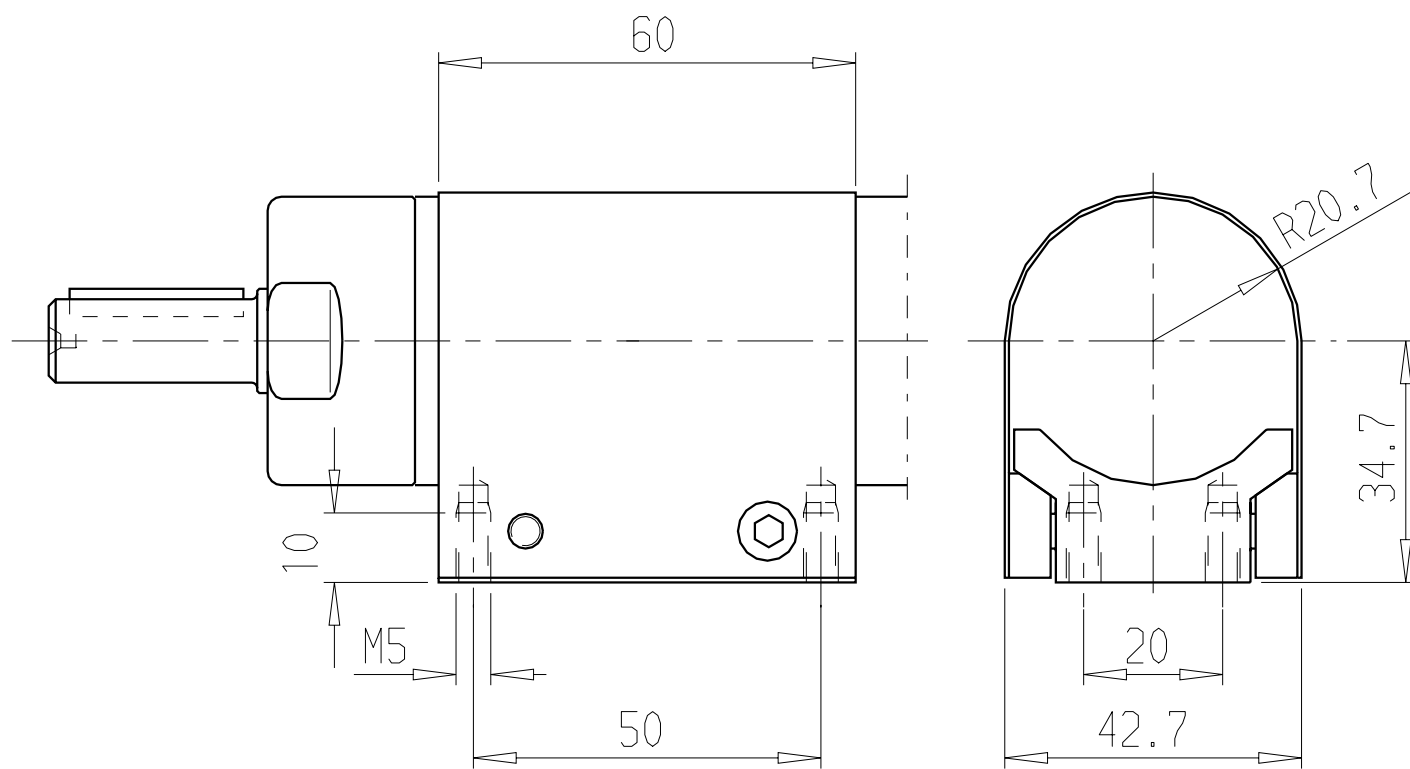


Foot  
Ordering No. 4430 0855 80



Flange  
Ordering No. 4430 0850 80

