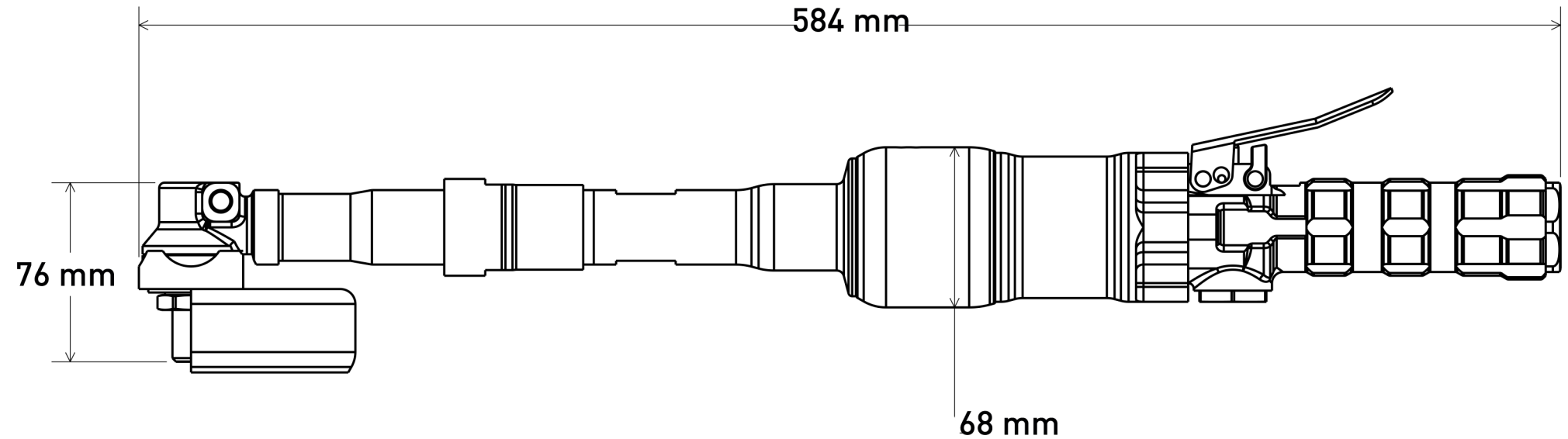
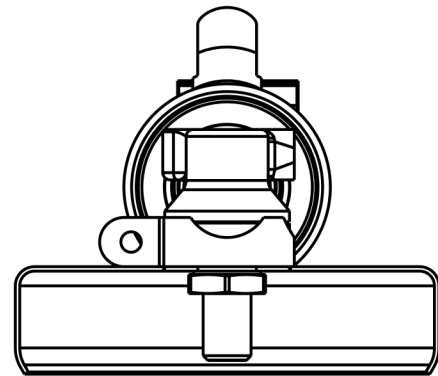
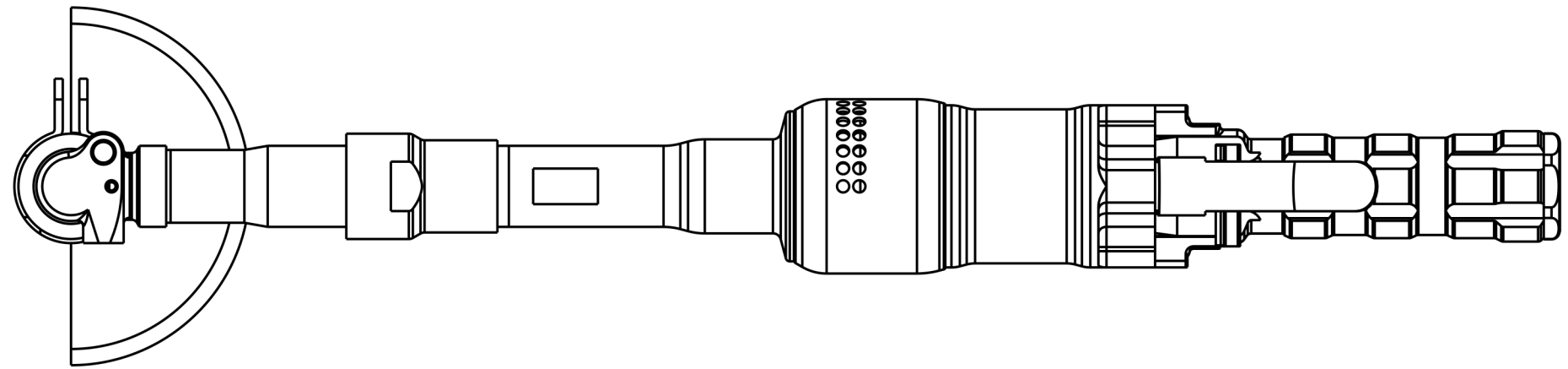
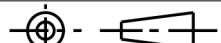


POTENZA: 1.2 KW (1.200 W)  
 NUMERO DI GIRI: 10.000 RPM  
 VIBRAZIONI: INFERIORI A 2.5 m/s



Operations	This design contained in this drawing originated by and is the exclusive property of T.C. Service Co. It is furnished for customer or vendor information only and is not an authorization or license to make this part or construction or to furnish this information to others.		T.C. Service Co. / Top Cat Air Tools Willoughby, OH, USA	
	UNLESS OTHERWISE SPECIFIED 2 PLACE ±0.01      3 PLACE ±0.001 4 PLACE ±0.0001      ANGLES ±0.5° Maximum Surface Roughness Ra 128 micro-inches		Description: Extended Grinder	
			Date: 2015-01-13	Material:
			Scale: X 0.4	Heat Treat:
			Sheet: 1 OF 1	
		ALL DIMENSIONS IN INCHES UNLESS NOTED	Drawn: andy	Part: P0-507HRAE
		 THIRD ANGLE PROJECTION	LOC: /d3/r/hr	Drawing: 517HRAE2

REF	WAS	DATE	ECN
-----	-----	------	-----