

# C1050

Saw

Printed Matter No. 9836 9997 00


Valid from Serial No. A5700001  
2014-06

## Spare part list

C1050

8424 1110 50



	<b>⚠ WARNING</b>
	<p><b>Read all safety warnings and instructions</b> <i>Failure to follow the safety warnings and instructions may result in electric shock, fire and/or serious injury.</i> <b>Save all warnings and instructions for future reference</b></p>

**Atlas Copco**

## Table of content

EN Spare part list .....	3
EN Accessories .....	5

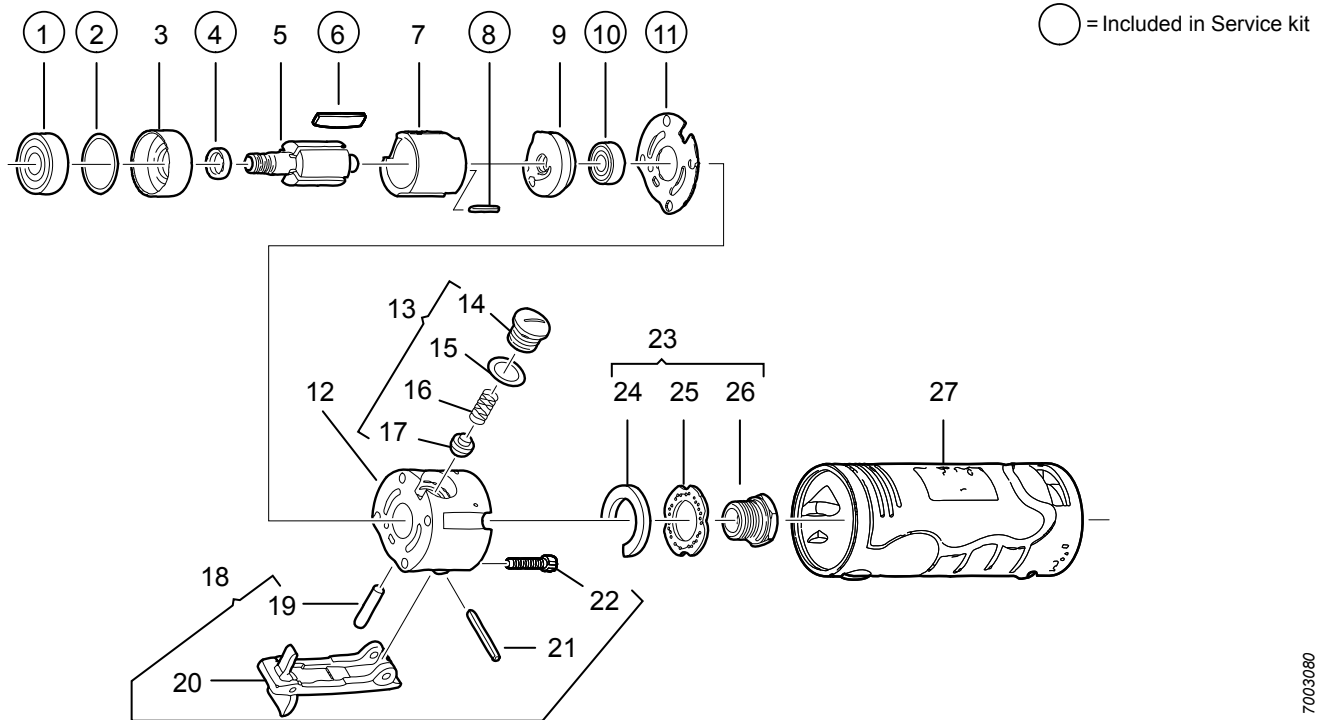
## Exploded views/tables

### Spare parts

Parts without ordering number are not delivered separately for technical reasons.

The use of other than genuine Atlas Copco replacement parts may result in decreased tool performance and increased maintenance and may, at the company option, invalidate all warranties.

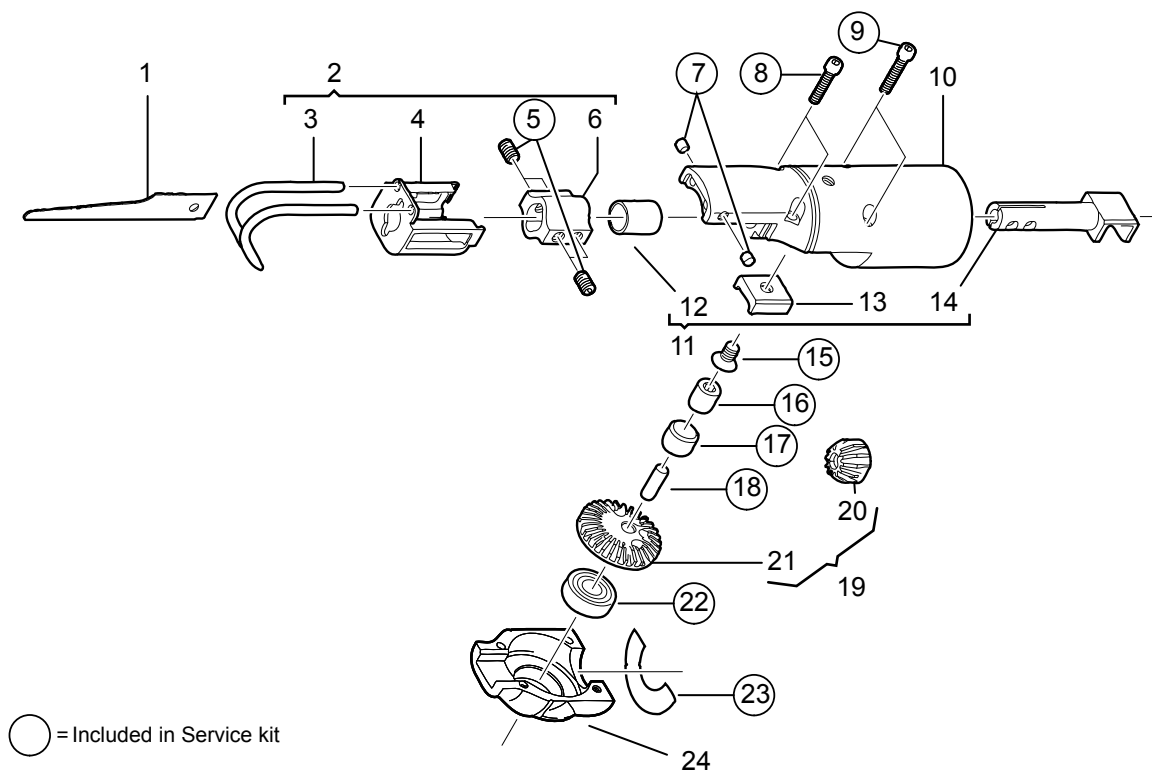
### Motor and handle



Ref. No.	Ordering No.	Qty	Description	Remark / Included in Service kit
1	-	1	Ball bearing	608-ZZ / Service kit 4081 0505 90
2	-	1	Shim	0.03 mm. Shim and 0.05 mm Shim / Service kit 4081 0505 90
3	4112 3008 16	1	End plate	
4	-	1	Spacer	Service kit 4081 0505 90
5	4112 3008 14	1	Rotor	
6	-	4	Vane	Service kit 4081 0505 90
7	4112 3008 12	1	Cylinder	
8	-	1	Pin	Service kit 4081 0505 90
9	4112 3008 10	1	End plate	
10	-	1	Ball bearing	696-ZZ / Service kit 4081 0505 90
11	-	1	Gasket	Service kit 4081 0505 90
12	-	1	Housing	
13(14-17)	4112 0145 90	1	Valve, compl.	
14	-	1	Screw	
15	-	1	O-ring	
16	-	1	Spring	
17	-	1	Valve	
18(19-22)	4112 3008 43	1	Lever, compl.	
19	-	1	Pin	
20	-	1	Lever	
21	-	1	Pin	
22	-	4	Screw	5.7x20.1
23(24-26)	4112 3008 44	1	Adapter, compl.	
24	-	1	Silencer	
25	-	1	Deflector	
26	-	1	Adapter	
27	-	2	Housing	

7003080

## Front part



7003081

Ref. No.	Ordering No.	Qty	Description	Remark / Included in Service kit
1	-	1	Saw blade	Pls Note !1 pc Blade32 T incl. For further info. Pls see Accessories.
2(3-6)	4112 3008 41	1	Attachment, compl.	
3	-	1	Guide	
4	-	1	Cover	
5	-	4	Adjustment screw	Service kit 4081 0506 90
6	-	1	Casing	
7	-	2	Screw	Service kit 4081 0506 90
8	-	2	Screw	5.7 x22,1 / Service kit 4081 0506 90
9	-	2	Screw	5.7 x20,1 / Service kit 4081 0506 90
10	-	1	Housing	
11(12-14)	4112 3008 42	1	Slide pin, compl.	
12	-	1	Bushing	
13	-	1	Guide	
14	-	1	Slide pin	
15	-	1	Screw	Service kit 4081 0506 90
16	-	1	Needle bearing	Service kit 4081 0506 90
17	-	1	Roller	Service kit 4081 0506 90
18	-	1	Pin	Service kit 4081 0506 90
19(20-21)	4112 3008 40	1	Angle gear, compl.	
20	-	1	Pinion gear	
21	-	1	Bevel gear	
22	-	1	Ball bearing	Service kit 4081 0506 90
23	-	1	Gasket	Service kit 4081 0506 90
24	-	1	Cover	
24	4112 3008 37	1	Allen key	20.5x2.9x58.5
24	4112 3008 38	1	Allen key	2x2x51.7

## Accessories included

### Allen key

Ref. No.	Ordering No.	Qty	Description	Remark / Included in Service kit
1	4112 3008 37	1	Allen key	3 mm

### Allen key

Ref. No.	Ordering No.	Qty	Description	Remark / Included in Service kit
1	4112 3008 38	1	Allen key	2 mm







**Atlas Copco Industrial  
Technique AB**  
SE-10523 STOCKHOLM  
Sweden  
Telephone: +46 8 743 95 00  
Telefax: +46 8 644 90 45  
**[www.atlascopco.com](http://www.atlascopco.com)**

© Copyright 2012, Atlas Copco Industrial Technique AB. All rights reserved. Any unauthorized use or copying of the contents or part thereof is prohibited. This applies in particular to trademarks, model denominations, part numbers and drawings. Use only authorized parts. Any damage or malfunction caused by the use of unauthorized parts is not covered by Warranty or Product Liability.

Out of respect to wildlife and nature, our technical literature is printed on environmentally friendly paper.