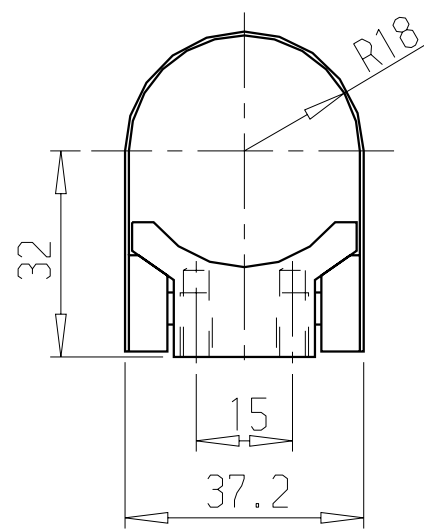
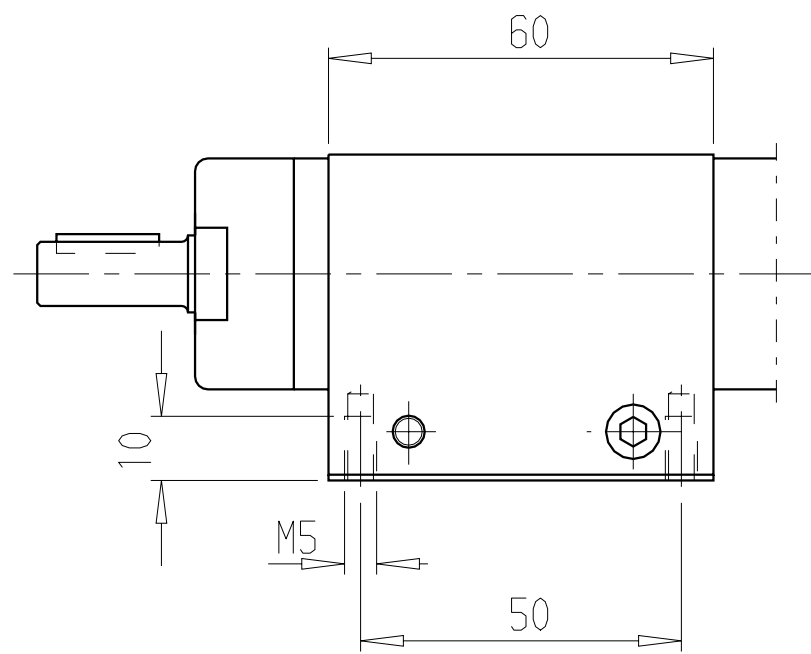


Foot
 Ordering No. 4430 0160 80



Flange

Ordering No. 4110 0984 85 with holes
 4110 0984 80 without holes

